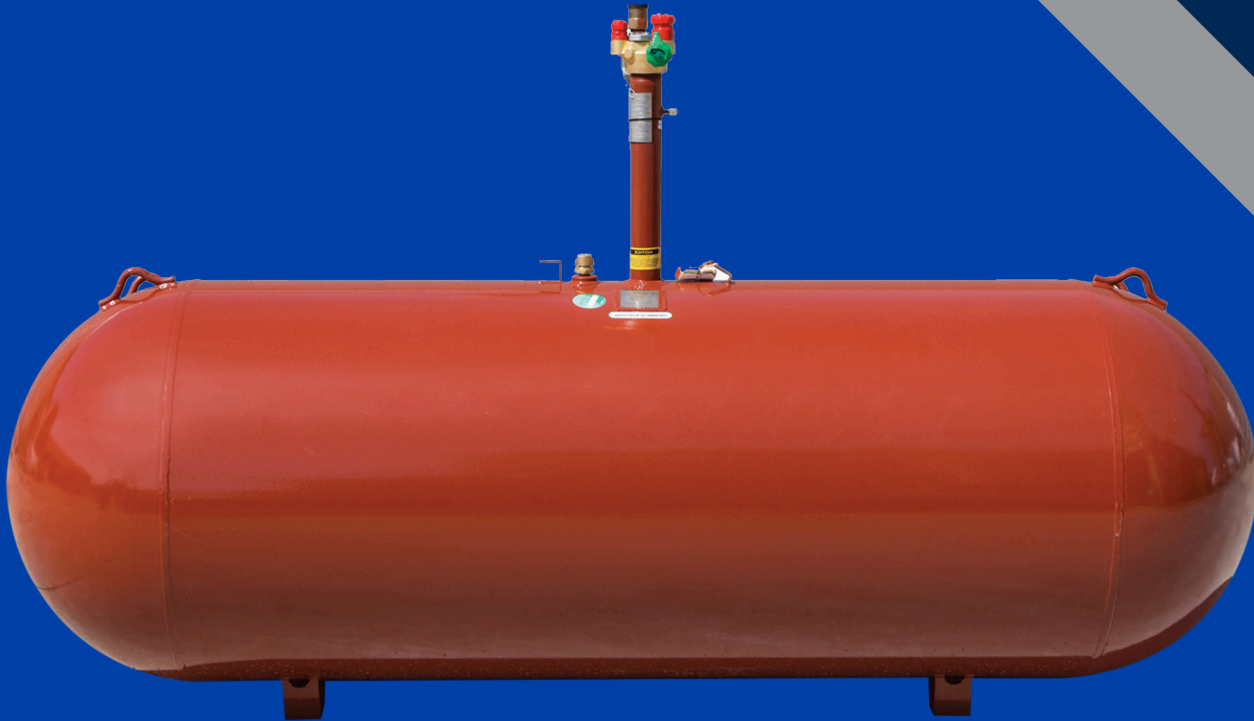




TATSA[®]
CALIDAD INDUSTRIAL DESDE 1955

UNDERGROUND DOMESTIC TANKS



GENERAL SPECIFICATIONS

Designed and manufactured in accordance with ASME Code, Section VIII; Div. 1 & NFPA 58.
Manufactured with steel meeting ASME standards.

SPECIFICATIONS

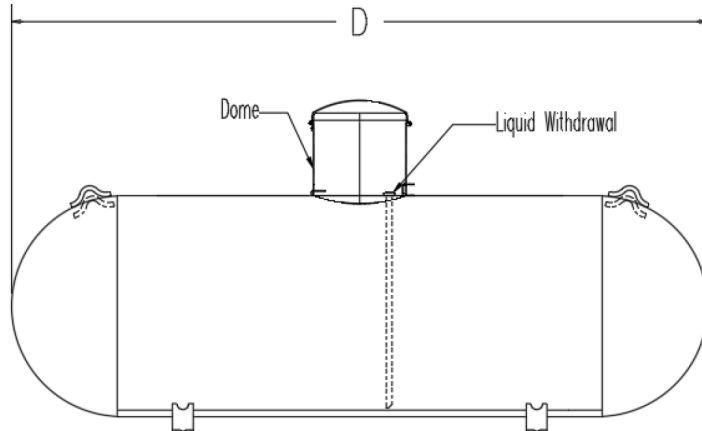
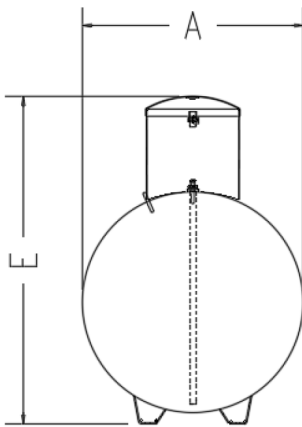
Design pressure at 250 PSI.
Design temperature 125°F
Hydrostatic test pressure at:
325 PSI min.
395 PSI max.

TECHNICAL DATA

ANTICORROSIVE PROTECTION SYSTEM

Epoxy powder coating, high chemical resistance, red oxide color.

Installation of this tanks requires cathodic protection and is the responsibility of the purchaser.



UNDERGROUND TANKS

MODEL		NOMINAL CAPACITY		WEIGHT		DIAMETER (A)		OVERALL LENGTH (D)		OVERALL HEIGHT (RISE HEIGHT) (E)			
LITERS	U.S. GALLONS	LITERS	U.S. GALLONS	KG.	POUNDS	METERS	INCHES	METERS	INCHES	SHORT RISER		LONG RISER	
										METERS	INCHES	METERS	INCHES
454	120	446	118	114.3	252	0.61	24	1.67	65 13/16	1.16	45 7/8	1.43	56 3/8
946	250	965	255	214.1	472	0.80	31.5	2.20	86 1/2	1.35	53 3/8	1.61	63 3/8
1,211	320	1,230	325	266.7	588	0.80	31.5	2.74	107 3/4	1.35	53 3/8	1.61	63 3/8
1,893	500	1,885	498	417.8	921	0.95	37.4	2.99	118	1.51	59 3/4	1.77	69 7/8
3,785	1,000	3,724	984	784.3	1,729	1.04	40.96	4.83	190 7/16	1.60	62 7/8	1.86	73 3/8
4,732	1,250	4,662	1,232	906.73	1,999	1.04	40.96	5.96	235	1.60	62 7/8	1.86	73 3/8
7,570*	2,000*	7,840	2,071	1,561	3,442	1.14	45	7.77	306	1.62	63 13/16	N/A	N/A
7,570*	2,000*	7,620	2,013	1,671	3,685	1.18	46.77	7.24	285 3/8	1.66	65 1/2	N/A	N/A

ANTICORROSIVE PROTECTION SYSTEM : Surface preparation according to SSPC SP10/NACE 2/ SA 2 1/2 / And a coal tar epoxy cured with polyamide of high thickness.

VALVES AND FITTINGS		MODEL						
		120 WG	250 WG	320 WG	500 WG	1000 WG	1250 WG	2000 WG
MULTIVALVE	Service valve CGA 510 (F. pol. connection)	X	X	X	X	X	X	X
	Filling Connection 1 3/4" M. ACME	X	X	X	X	X	X	X
	Relief valve	X	X	X	X	X	X	X
	Vapor valve 1 1/4" M. Acme	X	X	X	X	X	X	X
	Float Gauge Jr.	X	X	X	X	X	X	X
	Liquid level Valve	X	X	X	X	X	X	X
	Excess flow valve "check lock" 3/4"	X	X	X	X	X	X	
Excess flow valve "check lock" 1 1/4"							X	
	Dome	X	X	X	X	X	X	X